

## GC6 Slam-Bolt Paddle Latch

### Features

- Attractive, fully self-contained lock / latch
- Precision, machine-cut solid slam-bolt, heavy duty slide and locking cam, mirror finish on case/flap and no sharp edges
- Slam action against door frame or striker, released by lifting flap
- Flush fitting and simple to install
- Stainless steel models have pierced rim
- Mild steel models are normally supplied with plain, unpierced rim (for weld-on installation)
- Moulded gasket supplied

### Material

- Stainless steel models: Stainless steel 304, polished
- Steel models: Mild steel, clear zinc plated or black powder coated

### Notes

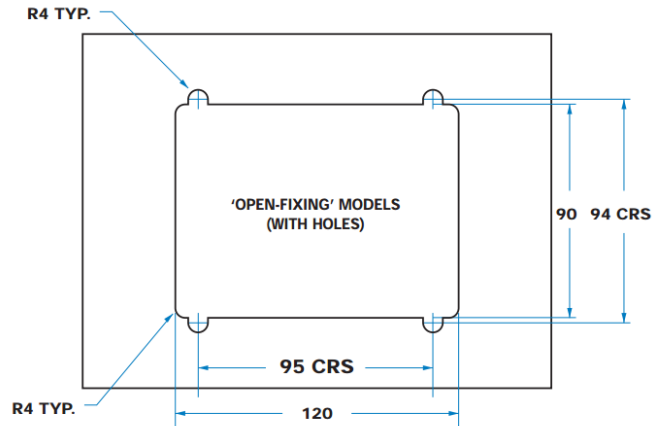
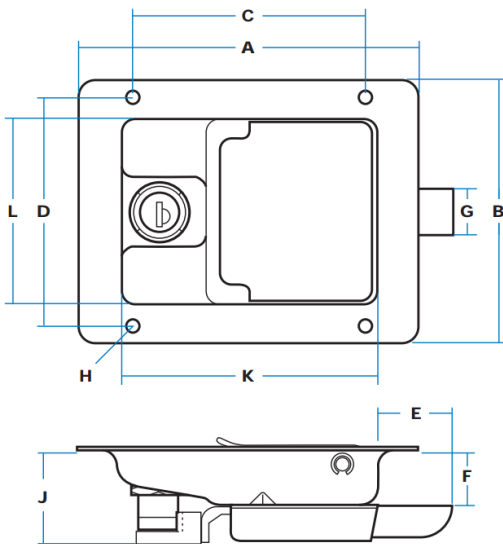
- For key-locking options, 'FS' keys provided as standard with shuttered keyway. Optionally 'FT', '92' or 'DLP' key types also available



GC6-G00408  
(non-locking,  
stainless steel)



GC6-G00418  
(locking, stainless steel)



Part No.	Material	Rim	Locking	Key	A	B	C	D	E	F	G	H	J	K	L
GC6-G00419	Steel, Zinc Plated	Plain	Yes	Standard	140	108	95	94	28	22	19	5	40	105	76
GC6-G00419-01				FS880											
GC6-G00420			No	-											
GC6-G00419B	Steel, Black Powder Coated	Plain	Yes	Standard											
GC6-G00419B-01				FS880											
GC6-G00420B			No	-											
GC6-G00418	Stainless Steel	Pierced	Yes	Standard											
GC6-G00418-01				FS880											
GC6-G00408			No	-											

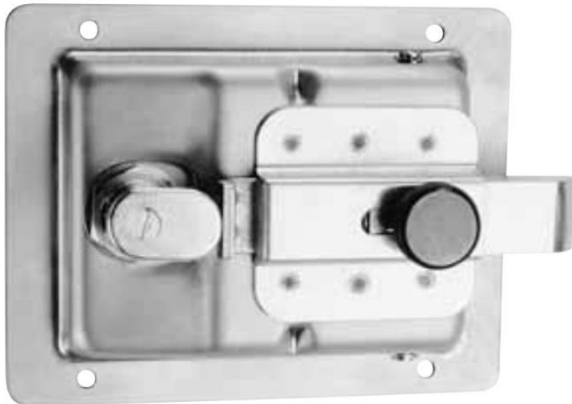
## Options & Add-Ons



### PADLOCKABLE PADDLES

The loop has 10 mm aperture and is made in double-section stainless steel for strength and scratch resistance. It can be added to almost any of our standard 'paddle' models.

*To order, add the suffix "-PL" to our regular part numbers.*



### INSIDE RELEASE OPTION

A knob for inside release can be fitted to all slam-bolt models. This operates even when paddle has been locked from outside

*To order, add the suffix "-IR" to our regular part numbers.*



### MULTI-POINT OPTIONS

Our standard paddle latches are also available as part of multi-point systems. Complete 2-point or 3-point systems are available for purchase.

*Contact Gripwell sales for assistance.*